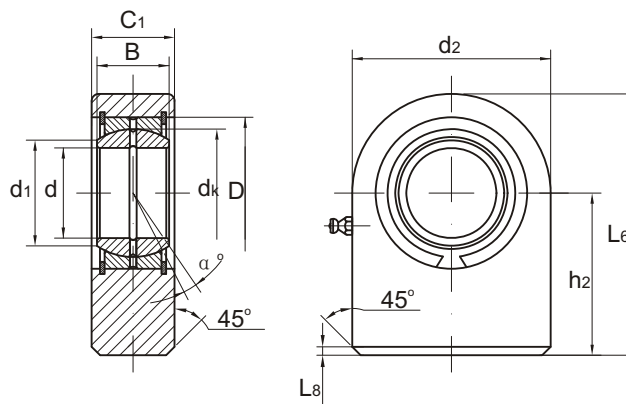


用于液压部件的杆端关节轴承

Maintenance required, for welding
需润滑，可焊接。

- Rod end housing with weldable base.
- It is made up of a radial spherical plain bearing GE..ES or GE..ES 2RS and rod end housing .
- Rod end housing with a lubricating hole or grease nipple .
- 杆端座体带有可焊接的基座。
- 由向心关节轴承GE..ES或GE..ES 2RS和杆端座体组成。
- 杆端座体带有润滑油孔和油杯。



Part No. 型号	Dimensions 尺寸mm										Load ratings 负荷KN		Weight 重量Kg
	d	B	C ₁	d ₂	L ₆	h ₂	dk	d ₁	D	L ₈	dyn. 动 C _d	stat. 静 C _s	
GF 15 DO	15	12	16	45	53.5	31	22	18.4	26	2	17.0	53	0.22
GF 16 DO	16	14	17.5	48	59	35	25	20.7	30	2	21.2	59	0.29
GF 17 DO	17	14	17.5	48	59	35	25	20.7	30	2	21.2	65	0.29
GF 20 DO	20	16	19	50	63	38	29	24.2	35	2	30.0	67	0.35
GF 25 DO	25	20	23	55	72.5	45	35.5	29.3	42	2	48	69.5	0.53
GF 30 DO	30	22	28	65	83.5	51	40.7	34.2	47	2	62	118	0.87
GF 35 DO	35	25	30	83	102.5	61	47	39.8	55	2	80	196	1.5
GF 40 DO	40	28	35	100	119	69	53	45.0	62	3	100	300	2.4
GF 45 DO	45	32	40	110	132	77	60	50.8	68	3	127	380	3.4
GF 50 DO	50	35	40	123	149.5	88	66	55.9	75	3	156	440	4.4
GF 60 DO	60	44	50	140	170	100	80	66.8	90	4	245	570	7.1
GF 70 DO	70	49	55	164	197	115	92	77.9	105	4	315	695	10.5
GF 80 DO	80	55	60	180	231	141	105	89.4	120	4	400	780	15
GF 90 DO	90	60	65	226	263	150	115	98.1	130	4	490	1340	23.5
GF 100 DO	100	70	70	250	295	170	130	109.5	150	4	610	1500	31.5
GF 110 DO	110	70	80	295	332.5	185	140	121.2	160	4	655	2160	48.5
GF 120DO	120	85	90	390	390.0	210	160	135.5	180	4	950	3250	79

-Sealed design also available, e.g. GF 70 DO 2RS.

-也可制造-2RS型结构，例如：GF 70 DO 2RS。