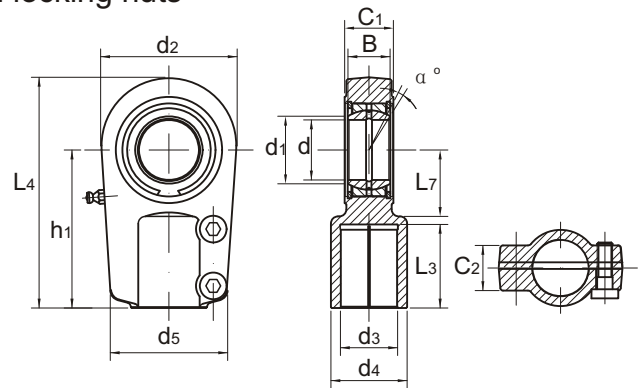


## 用于液压部件的杆端关节轴承

Maintenance required, with female thread and locking nuts  
需润滑，内螺纹，带螺栓。

- Rod end housing with right or left-hand female thread.
- It is made up of a radial spherical plain bearing GE..ES or GE..ES 2RS and rod end housing.
- Rod end housing with a lubricating hole or grease nipple.
- 杆端座体带有左旋或右旋的内螺纹。
- 由向心关节轴承GE..ES或GE..ES 2RS和杆端座体组成。
- 带锁紧口和紧定螺栓。
- 杆端座体带有润滑油孔和油杯。



Part No. 型号	Dimensions 尺寸mm														Load ratings 负荷KN		Weight 重量Kg
	d	B	C <sub>1</sub>	d <sub>2</sub>	d <sub>1</sub>	h <sub>1</sub>	d <sub>5</sub>	C <sub>2</sub>	L <sub>4</sub>	L <sub>7</sub> min	d <sub>4</sub>	L <sub>3</sub> min	d <sub>3</sub> 6H	α ≈	dyn. 动 C <sub>d</sub>	stat. 静 C <sub>s</sub>	
GK 25 SK	25	23	20	56	29.3	65	48	21	95	25	28	30	M18×2.0	8	48	76	0.7
GK 30 SK	30	28	22	64	34.2	75	56	26	109	30	34	35	M24×2.0	7	62	112	1.0
GK 35 SK	35	30	25	78	39.7	90	70	28	132	40	44	45	M30×2.0	7	80	180	1.3
GK 40 SK	40	35	28	94	45.0	105	78	33	155	45	55	55	M39×3.0	7	100	295	2.4
GK 50 SK	50	40	35	116	56.0	135	88	36	198	55	70	75	M50×3.0	7	156	445	4.1
GK 60 SK	60	50	44	130	66.8	170	118	46	240	65	87	95	M64×3.0	7	245	530	6.5
GK 70 SK	70	55	49	154	77.8	195	138	51	278	75	105	110	M80×3.0	6	315	720	9.5
GK 80 SK	80	60	55	176	89.4	210	168	55	305	80	125	120	M90×3.0	6	400	890	16
GK 90 SK	90	65	60	206	98.1	250	180	60	363	90	150	140	M100×3.0	5	490	1300	28
GK 100 SK	100	70	70	230	109.5	275	188	65	400	105	170	150	M110×4.0	7	610	1490	34
GK 110 SK	110	80	70	264	121.2	300	210	74	442	115	180	160	M120×4.0	6	650	2050	44
GK 120 SK	120	90	85	340	135.5	360	240	84	540	140	210	190	M150×4.0	6	950	2970	75
GK 140 SK	140	110	90	380	155.8	420	256	105	620	185	230	210	M160×4.0	7	1080	3350	160
GK 160 SK	160	110	105	480	170.2	460	290	105	710	200	260	240	M180×4.0	8	1370	4300	185

-For left-hand thread, please add suffix "L", e.g. GKL 50 SK.  
-若是左旋螺纹，轴承型号需加“L”，例如：GKL 50 SK。